

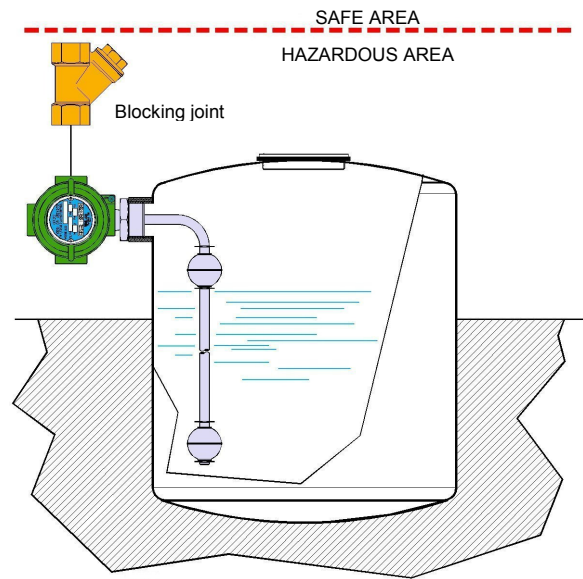
OMOLOGATI IN CONFORMITA' ALLA NORMATIVA EUROPEA 94/9/CE - ATEX



These instruments, explosion-proof certified **CESI 03 ATEX 272 Ext.2 II 1/2G Exd IIC T5/T6 Ga/Gb**, are used to control the level of liquids or fuel in tanks, both underground and outdoors, installed in hazardous areas where flammable products are treated.

GENERAL CHARACTERISTICS

- **Stainless steel – AISI 316**
- Up to 6 switch points.
- Up to 6 m length.
- Maximum working pressure 50 bar.
- Standard working temperature up to 100°C.
- Executions up to 160°C on request.
- Operating ambient temperature
-40/+40°C = T6, -40/+60°C = T5
- Minimum degree of protection IP66.
- Built-in temperature sensors, on request.
PT – PTC – NTC – Thermostat (thermoprotector).



FLOATS

Tab.1



S29
Ø30x32

S32
Ø30x32

S41
Ø41x35

S52
Ø52

Material	Stainless steel – AISI 316							
Specific gravity	0,75		0,55		0,65		0,7	
Contact type	3	7D	3	7D	4	7	4	7
Max N. of contacts	6	4	6	4	6		6	
Max. bar	30		10		10		50	
Max. °C - Class	L = 100°C							
On request	R = 160°C							

ELECTRICAL CONTACTS

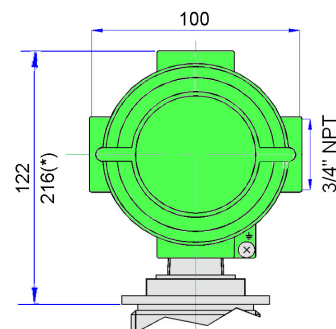
Tab.2

TYPE	POWER			VOLTAGE		CURRENT	
	VA	W	AC	DC	AC	DC	
SPST 3	70	50	300	350	0,5	0,7	
SPST 4	80	80	250	250	1,3	1,3	
SPDT 6	60	60	230	230	1	1	
SPDT 6D	20	20	150	150	0,5	0,5	

ELECTRICAL OUTPUT

Tab.3

E1	IP66 Housing Max. 18 terminals
-----------	-----------------------------------



Heatsink - see dimension (*) Temperature class **R**

PROCESS CONNECTIONS

Tab.4

Float type	Installation from outside – available thread and flanges						
	25	32	40	50	FSHX	DN50	DN65
	1"	1¼"	1½"	2"	Flange	Flange	Flange
S29	G	G-C-N	-	-	•	-	-
S32	G	G-C-N	-	-	•	-	-
S41	-	-	G-C-N	G-C-N	•	•	•
S52	-	-	-	G-C-N	-	-	•

Male thread

G	C	N
Cylindrical UNI 228/1	Conical UNI 7/1	Conical NPT

Available materials

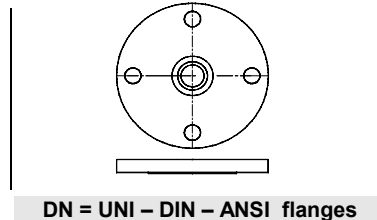
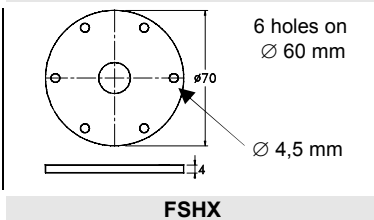
S	T
AISI-316	AISI-304 On request

DN = Available materials

C	S
Steel	AISI-316

FLANGES

Dimensions in mm.



WIRING

Tab.5

I	Independent	Separately wired contacts	1	NO	Contacts status in no level conditions
C	Common	Common wired contacts	2	NC	
S	Custom	Contacts wired on request	3	SPDT	

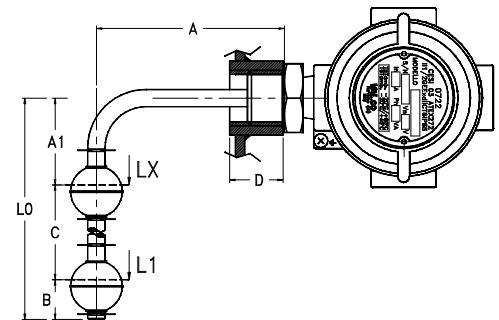
SWITCH POINTS

- minimum value in mm.

Tab.6

The switch points L1 + L4 are measured from the axis of the fitting or flange connection. General tolerances on switch points ± 3 mm.

	Minimum distance in mm.							
	S29		S32		S41		S52	
A min.	60	60	80	80	80	80	80	80
A1 min.	60	60	80	80	80	80	80	80
B	25	25	35	35	40	40	40	40
C	45	45	65	65	75	75	75	75
D max ▶	24	24	36	36	36	36	36	36
Contact type	3	6D	3	6D	4	6	4	6
Max. N of contacts	6	4	6	4	6	6	6	6



OPTION – Built-in temperature sensor

On request, it is possible to install a temperature sensor located at the bottom of the rod inside the instrument.

PT100 – PT1000	PTC	NTC	TRP (Thermoprotector)
EN 60751 – IEC 751	Resistance at 25°C ≤ 500 Ω	Resistance at 25°C 2-5-10-50-100 KΩ	70°C + 160°C - 10°C step
Class B – A (on request)	Temperature 60°C + 160°C	Precision ± 5% / ± 3% (on request)	Precision ± 5% Differential 40°C

NOMENCLATURE

L2	S41	4	350/100	S	50	G	S	E1	L	I22	L1+L6	
•												Number of contacts L1+L6
	•											Tab.1 Float
		•										Tab.2 Electrical contact
			•									- Total length = L0 mm / Length A mm. (See drawing)
				•								- Stainless steel rod material
					•							Tab.4 Process connection dimension
						•						Tab.4 Process connection thread
							•					Tab.4 Process connection material
								•				Tab.3 Electrical output
									•			Tab.1 Temperature class
										•		Tab.5 Wiring and contact status
											•	Tab.6 Switch points (mm)

All level controls Exd certified must be connected by interposing the appropriate blocking joints according to the European Standard EN 50018.